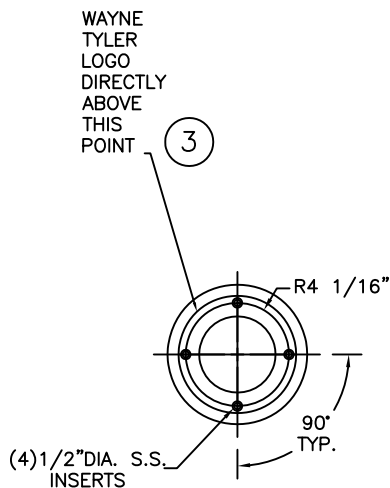
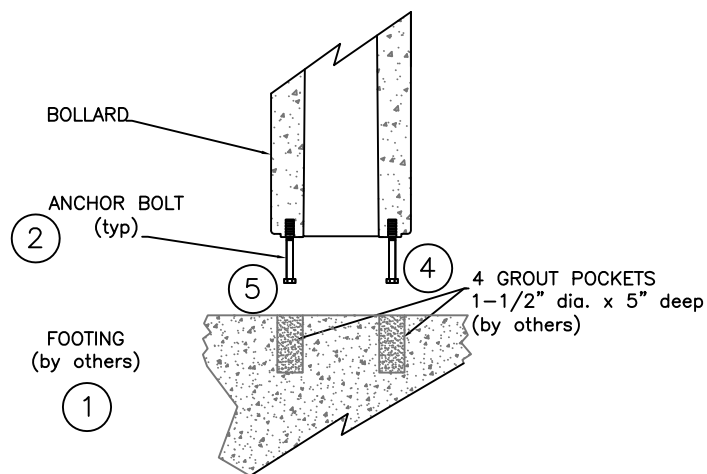


INSTALLATION NOTES:

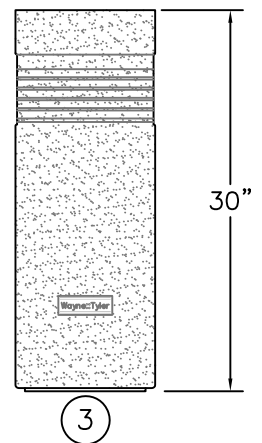
1. FOOTING MATERIALS & INSTALLATION BY OTHERS. TOOLS BY OTHERS.
2. BOLTS PROVIDED.
3. CHOOSE DIRECTION WAYNE TYLER LOGO ON BOLLARD WALL SHOULD FACE. CAST-IN OR CORE DRILL (4) 1-1/2"DIA. x 5"DEEP GROUT POCKETS INTO FOOTING PER ANCHOR BOLT PATTERN.
4. TAKE (4) 1/2" DIA. x 4-1/2" LONG ANCHOR BOLTS AND SCREW AN INCH DEEP INTO (4) 1/2"DIA. S.S. THREADED INSERTS, LEAVING 3-1/2" OF THE ANCHOR BOLT EXPOSED.
5. FILL ALL GROUT POCKETS WITH NON-SHRINK GROUT. INSERT BOLLARD WITH ANCHOR BOLTS INTO GROUT POCKETS.



ANCHOR BOLT PATTERN



BOLLARD PAD MOUNT DETAIL



ELEVATION

MOUNTING AND INSTALLATION INSTRUCTION SUBJECT TO CHANGE/UPDATE. SEEK THE MOST RECENT VERSION. 5/2017

| | | | | | | | |
|--|----------------|--------------------------------|--------|----------|-----------|-------|-----------------------|
| | PLAN TYPE: | MOUNTING AND INSTALLATION | DATE: | 06/01/17 | FILE NO. | 241NL | SHEET 1 OF 1 |
| | PRODUCT: | 241NL NON-LIT CONCRETE BOLLARD | SCALE: | AS NOTED | DRAWN BY: | BGH | |
| | MOUNTING TYPE: | PAD MOUNT | | | | | |