

SPECIFICATION SHEET

110 SERIES

Wayne :: Tyler

Order Date: _____ Project Location: _____
 Project Name: _____ Fixture Type: _____

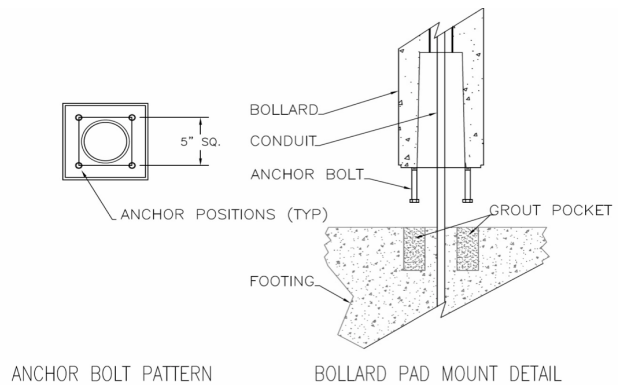
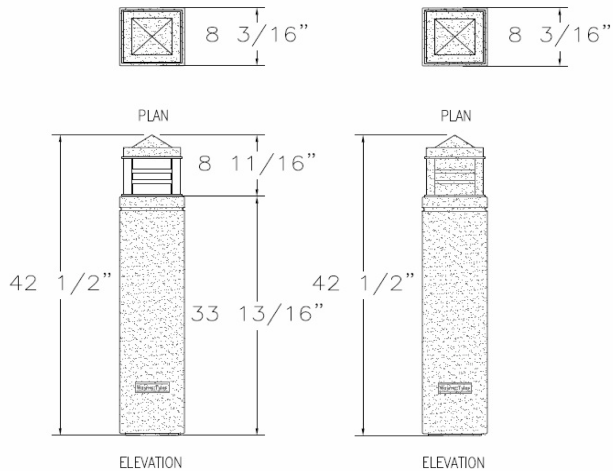
SELECTIONS

SERIES	BASE OPTION	CCT/CRI/LUMENS	VOLTAGE*	CONCRETE COLOR	CONCRETE TEXTURE	GRILLE COLOR**	OPTIONS
110LED17W	S (STRAIGHT)	3 (3000K) 90 (1176 Lumens)	UNV (120V/277V)	NT (Natural)	AE (Acid Etch)	NT (Natural Aluminum)	AG (Anti-Graffiti)
	T (TAPERED)	3 (3000K) 80 (1480 Lumens)		LT (Latte)	LSB (Light Sand Blast)	SV (Silver RAL 7040)	HP (Handicap Placard)
	T.5 (25" Height)	4 (4000K) 80 (1830 Lumens)		FG (French Grey)	MSB (Medium Sand Blast)	BK (Black RAL 8022)	CE (Custom Embossed)
110LED24W		3 (3000K) 90 (1989 Lumens)		AT (Adobe Taupe)	HSB (Heavy Sand Blast)	WT (White RAL 9016)	
		3 (3000K) 80 (2397 Lumens)		CB (Colonial Brick)	CT (Custom Texture)	BZ (Bronze RAL 8016)	
		4 (4000K) 80 (2473 Lumens)		CC (Custom Concrete)		CG (Custom Grille)	
110LED32W		3 (3000K) 90 (2650 Lumens)					
		3 (3000K) 80 (3204 Lumens)					
		4 (4000K) 80 (3315 Lumens)					
RGB&W		RGBW					
110NL (Matching Non Lit)		X	X			X	

*LED Driver is 0-10V dimming protocol compatible (standard). Dims to 10% of light output. Use compatible control.
 **All manufacturer's standard colors will vary to some degree. If attempting to match other manufacturers, contact your sales agent.
 Legacy lamping option available (CFL, MH or HPS) Consult factory. Wayne Tyler reserves the right to change / update this specification guide without notice. Seek the most recent version.

SPECIFICATIONS

110S



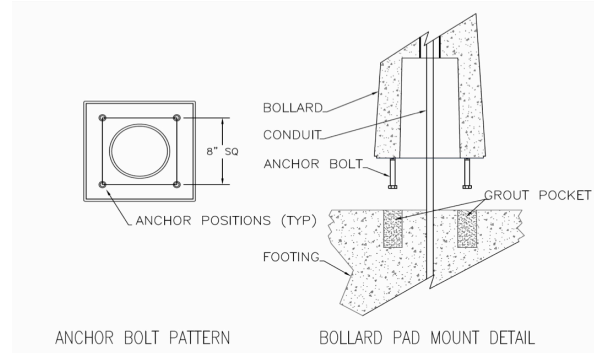
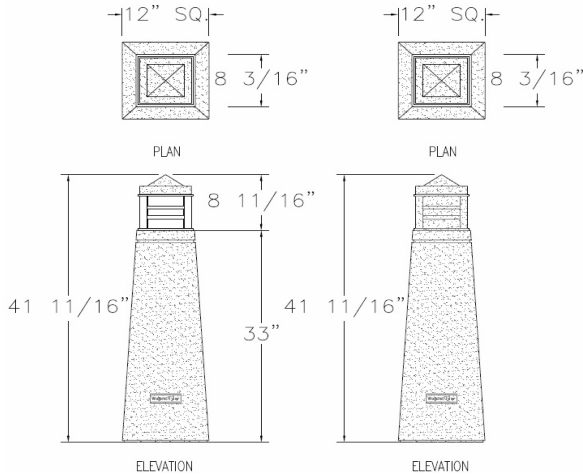
SPECIFICATION SHEET

110 SERIES

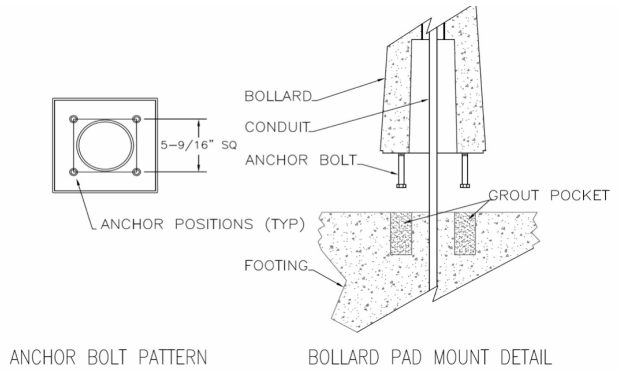
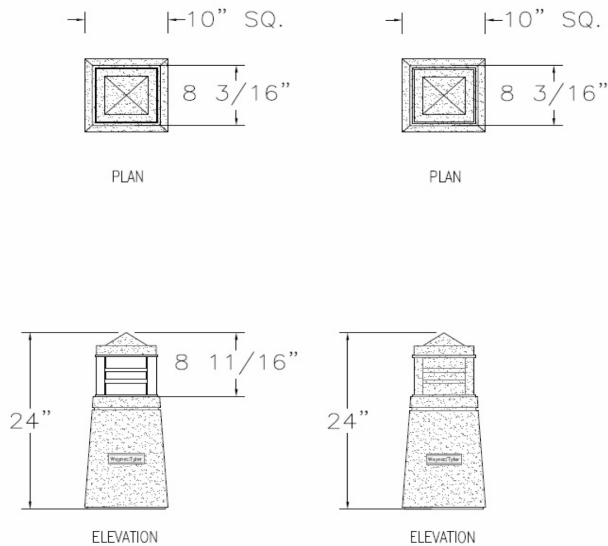
Wayne :: Tyler

SPECIFICATIONS

110T



110TS



CONSTRUCTION

Luminaire Construction: Heavy wall aluminum top and base plates with solid machined aluminum tubing. Grille is finished with baked polyester powder coat. LED array includes integral driver. ETL listed for wet locations. Luminaire concrete cap is provided with stainless steel fasteners

Bollard Base Construction: High strength cast concrete reinforced with integral steel rebar. Provided with stainless steel inserts for luminaire and anchor bolt mounting. All concrete is treated with Hycrete concrete additive.