

SPECIFICATION SHEET

240 SERIES

Wayne :: Tyler

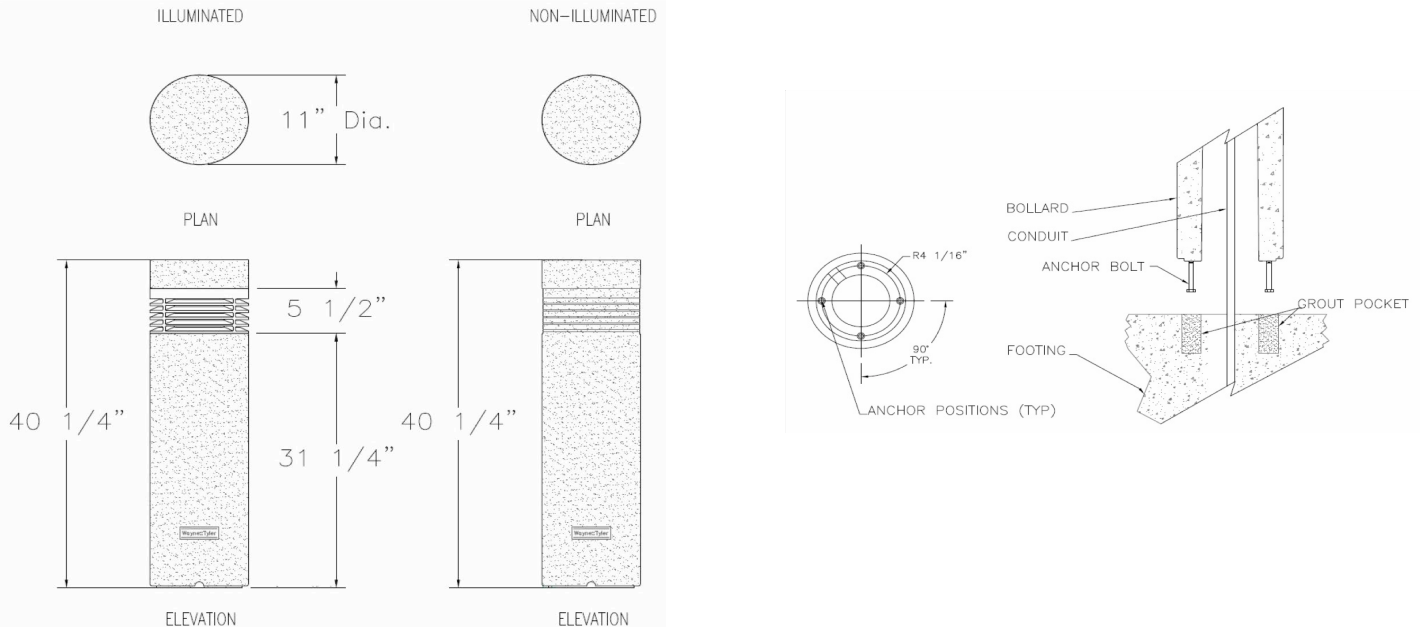
Order Date: _____ Project Location: _____
 Project Name: _____ Fixture Type: _____

SELECTIONS

SERIES	CCT/CRI/LUMENS	VOLTAGE*	CONCRETE COLOR	CONCRETE TEXTURE	GRILLE COLOR**	OPTIONS
240LED17W	3 (3000K) 90 (1176 Lumens)	UNV (120V/277V)	NT (Natural)	AE (Acid Etch)	SV (Silver RAL 7040)	AG (Anti-Graffiti)
	3 (3000K) 80 (1480 Lumens)		LT (Latte)	LSB (Light Sand Blast)	BK (Black RAL 8022)	HP (Handicap Placard)
	4 (4000K) 80 (1830 Lumens)		FG (French Grey)	MSB (Medium Sand Blast)	WT (White RAL 9016)	CE (Custom Embossed)
240LED24W	3 (3000K) 90 (1989 Lumens)		AT (Adobe Taupe)	HSB (Heavy Sand Blast)	BZ (Bronze RAL 8016)	
	3 (3000K) 80 (2397 Lumens)		CB (Colonial Brick)	CT (Custom Texture)	CG (Custom Grille)	
	4 (4000K) 80 (2473 Lumens)		EG (Emerald Bay Green)			
240LED32W	3 (3000K) 90 (2650 Lumens)		CC (Custom Concrete)			
	3 (3000K) 80 (3204 Lumens)					
	4 (4000K) 80 (3315 Lumens)					
RGB&W	RGBW					
240NL (Matching Non Lit)	X	X			X	

*LED Driver is 0-10V dimming protocol compatible (standard). Dims to 10% of light output. **All manufacturer's standard colors will vary to some degree. If attempting to match other manufacturers, contact your sales agent. Legacy lamping option available (CFL, MH or HPS) Consult factory. Wayne Tyler reserves the right to change / update this specification guide without notice. Seek the most recent version.

SPECIFICATIONS



CONSTRUCTION

Luminaire Construction: Heavy wall cast aluminum, 45-degree cutoff louver with cylindrical opal acrylic lens. Grille is finished with baked polyester powder coat. LED array includes integral driver. ETL listed for wet locations. Luminaire concrete cap is provided with stainless steel fasteners.

Bollard Base Construction: High strength cast concrete reinforced with integral steel rebar. Provided with stainless steel inserts for luminaire and anchor bolt mounting. Domed interior of cap painted high reflectance white. All concrete is treated with Hycrete concrete additive.

Non-Illuminated Bollard Construction: One piece, high strength cast concrete reinforced with steel reinforcing bar. Cast in scoring provides simulated grille pattern. Provided with stainless steel bolts for anchor bolt mounting.