

# SPECIFICATION SHEET

## 310R SERIES

Wayne :: Tyler

Order Date: \_\_\_\_\_ Project Location: \_\_\_\_\_  
 Project Name: \_\_\_\_\_ Fixture Type: \_\_\_\_\_

### SELECTIONS

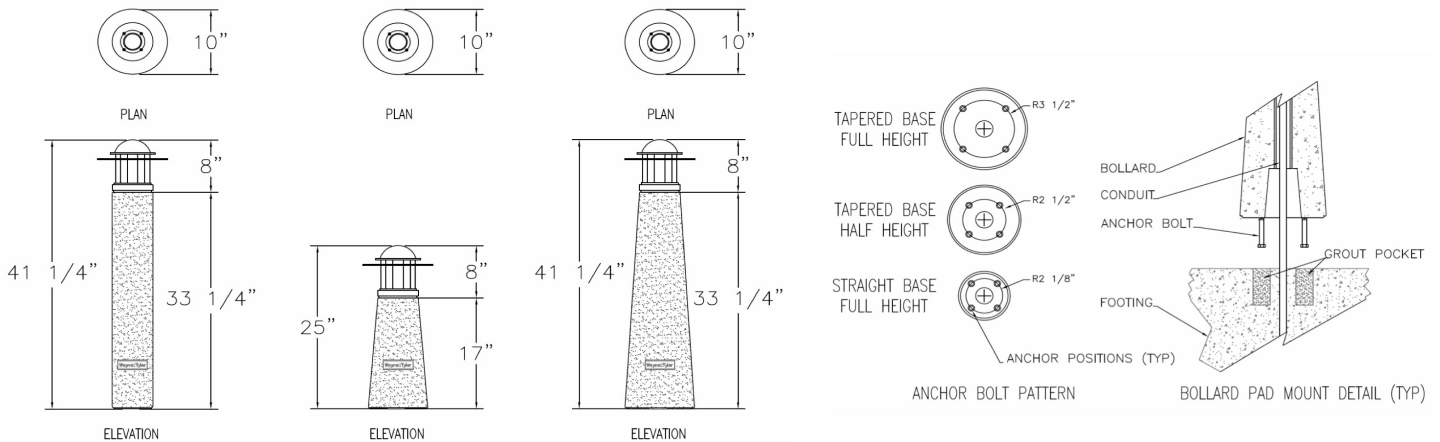
SERIES	BASE OPTION	CCT/CRI/LUMENS	VOLTAGE*	CONCRETE COLOR	CONCRETE TEXTURE	GRILLE COLOR**	OPTIONS
310RLED9W	S (STRAIGHT)	27 (2700K) 90 (900 Lumens)	UNV (120V/277V)	NT (Natural)	AE (Acid Etch)	NT (Natural Aluminum)	AG (Anti-Graffiti)
	T (TAPERED)	3 (3000K)		LT (Latte)	LSB (Light Sand Blast)	CG (Custom Grille)	HP (Handicap Placard)
	T.5 (25" Height)	4 (4000K)		FG (French Grey)	MSB (Medium Sand Blast)		CE (Custom Embossed)
				AT (Adobe Taupe)	HSB (Heavy Sand Blast)		
				CB (Colonial Brick)	CT (Custom Texture)		
				EG (Emerald Bay Green)			
				CC (Custom Concrete)			

\*LED Driver is 0-10V dimming protocol compatible (standard). Dims to 10% of light output. Use compatible control.

\*\*All manufacturer's standard colors will vary to some degree. If attempting to match other manufacturers, contact your sales agent.

Legacy lighting option available (CFL, MH or HPS) Consult factory. Wayne Tyler reserves the right to change / update this specification guide without notice. Seek the most recent version.

### SPECIFICATIONS



### CONSTRUCTION

**Luminaire Construction:** Heavy wall bronze round cap and base castings with solid machined brass support columns and spacers with heavy wall copper disk. Luminaire cap is provided with stainless steel fasteners. LED array includes integral driver. ETL listed for wet locations.

**Bollard Base Construction:** High strength cast concrete reinforced with integral steel rebar. Provided with stainless steel inserts for luminaire and anchor bolt mounting. All concrete is treated with Hycrete concrete additive.