

Eliminate Costly Breakage with a Lasting Solution!



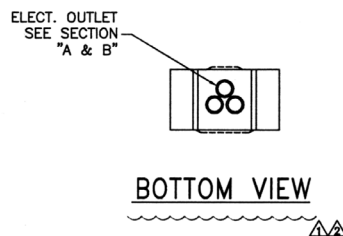
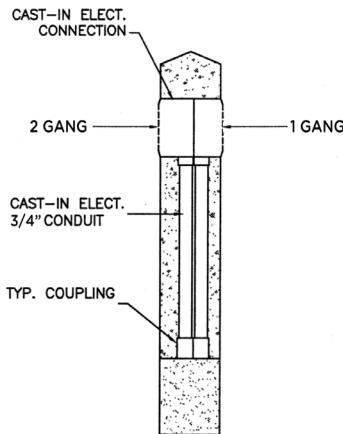
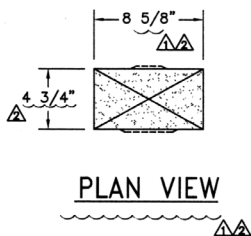
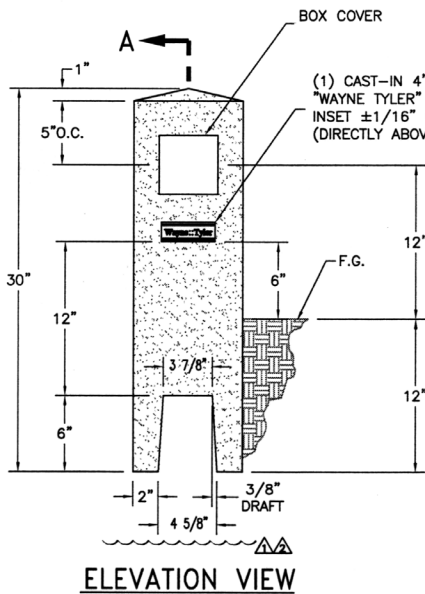
Typical electrical/system boxes are vulnerable to breakage and weather wear.

New from Wayne :: Tyler

A concrete, indestructible electrical/systems box designed for landscape installation. Our new, low profile (5" x 8" x 18") solid concrete monument contains both a two-gang electric box that can house any number of convenience device configurations and a single-gang box for data or any other needed system. Both fed with 3/4" conduit. (See details below.)



Wayne :: Tyler's concrete electrical/system boxes are indestructible and are available in custom configurations.



Specifications

Construction

Manufactured 5000psi, 3/8" rebar, reinforced with direct embedded two electrical box configuration. All concrete is treated with Hycrete concrete additive.

Series

CB - Concrete Box

Box A

Two 2-Gang

Conduit A

Two 2-Conduit, in & out, 3/4"

Box B

One 1-Gang

Conduit B

One 1-Conduit, 3/4"

Concrete Color

Standard Natural

Concrete Texture

SB3 - Standard Medium Sandblast

