

SPECIFICATION SHEET

CIF630 SERIES VICTORIA BENCH

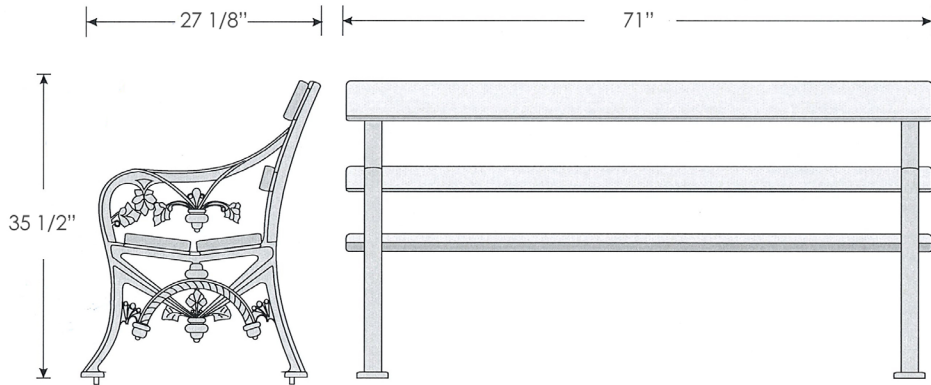
Wayne :: Tyler

Project Name: _____ Project Location: _____

SELECTIONS

SERIES	LENGTH	WOOD	COLOR	MOUNT
CIF630-6'	71"	SU (Sapele)	BL (Gloss Black)	SM (Surface mount)
		SF (Sapele with exterior finish*)	G (Gloss Green)	FS (Free standing)
			S (Gloss Silver)	
			BZ (Bronze)	
			CG (Charcoal Grey)	
			CUST (Custom)	

SPECIFICATIONS



CONSTRUCTION

Construction: Bench ends are supplied in cast iron. Available in aluminum on special order. All metal surfaces are finished with polyester powdercoat in 5 standard colors with custom colors available upon request. Wood slats are sapele, either unfinished or treated with clear exterior finish. Approximate weight of 6' bench is 180lbs.

* Finished wood requires periodic maintenance.