

# SPECIFICATION SHEET

## CIF640 SERIES CAVENDISH BENCH

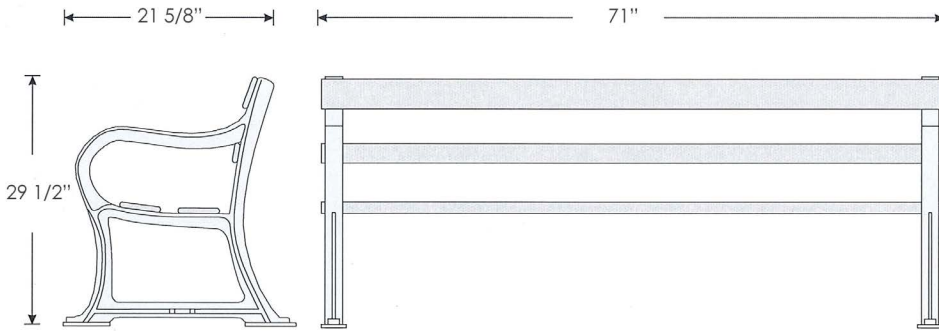
Wayne :: Tyler

Project Name: \_\_\_\_\_ Project Location: \_\_\_\_\_

### SELECTIONS

| SERIES    | LENGTH | WOOD                              | COLOR              | MOUNT              |
|-----------|--------|-----------------------------------|--------------------|--------------------|
| CIF640-6' | 71"    | SU (Sapele)                       | BL (Gloss Black)   | SM (Surface mount) |
|           |        | SF (Sapele with exterior finish*) | G (Gloss Green)    | FS (Free standing) |
|           |        |                                   | S (Gloss Silver)   |                    |
|           |        |                                   | BZ (Bronze)        |                    |
|           |        |                                   | CG (Charcoal Grey) |                    |
|           |        | CUST (Custom)                     |                    |                    |

### SPECIFICATIONS



### CONSTRUCTION

**Construction:** Bench ends are supplied in cast iron. Available in aluminum on special order. All metal surfaces are finished with polyester powdercoat in 5 standard colors with custom colors available upon request. Wood slats are sapele, either unfinished or treated with clear exterior finish. Approximate weight of 6' bench is 120lbs.

\* Finished wood requires periodic maintenance.